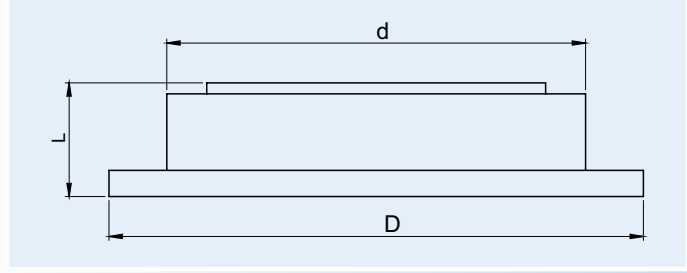


CNC HİDROLİK AYNA İÇİN PNOMATİK SİLİNDİR

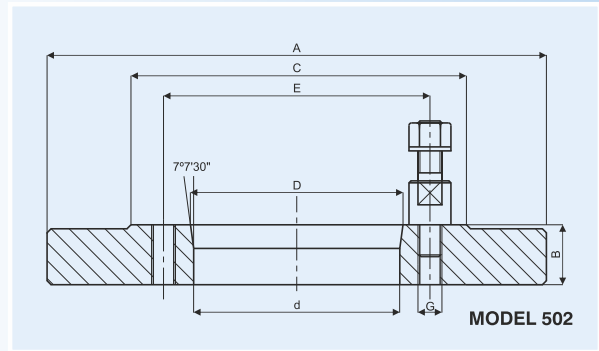
PNEUMATIC CYLINDER FOR HYDRAULIC CHUCKS



Sipariş Kodu	Ölçüler / Dimensions				
Order Code	D	d	Çene Stroku / Claw Stroke	L	Sıkma Kuvveti kgf/cm ² / Clamping Force
PS080	290	210	17	77	1380
PS010	315	254	20	80	1700



Ayna Flaşı
Chuck Adapter Plates



Ayna Çapı	Flaş No	Sipariş Kodu	Ölçüler / Dimensions							Saplama Adedi
Chuck Dia	Adapter Plates No	Order Code	A	B	C	E	d	G	D	Bolts Pcs.
160	5	A1605	160	25	135	1041.8	79.6	M10	82.563	4
160	6	A1606	160	25	170	133.4	103.2	M12	106.375	4
200	5	A2005	200	25	135	104.8	79.6	M10	82.563	4
200	6	A2006	200	25	170	133.4	103.2	M12	106.375	4
250	6	A2506	250	30	170	133.4	103.2	M12	106.375	4
250	8	A2508	250	30	220	171.4	136.2	M16	139.72	4
315	6	A3156	315	35	170	133.4	103.2	M12	106.375	4
315	8	A3158	315	35	220	171.4	136.2	M16	139.72	4
315	11	A31511	315	35	290	235	192.9	M20	196.869	4