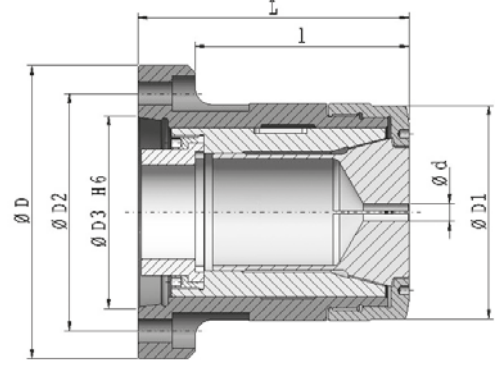


Hidrolik pens aynası

Kraftspannfutter DIN 55021 / 22 / 27 / 28
Power chucks DIN 55021



Sipariş No Bestell Nr. Order Nr.	DIN 55021 22/27/28					Pens Spanzagen collets Pincas	I	L
	D	D2	D3	D1	d			
110.90.05	135	104,8	5	100	4-42	173 E	104	132
111.90.06	165	133,4	6	118	4-42	173 E	104	134
112.90.06	165	133,4	6	122	6-60	185 E	117	151
113.90.08	208	171,4	8	138	6-60	185 E	114	154



Hidrolik pens aynası

Kraftspannfutter DIN 55021 / 22 / 27 / 28
Power chucks DIN 55021

Sipariş No Bestell Nr. Order Nr.	Profil	d	d1	d2	D	I	L	α	β
161.26.04	○	2-26	32	34	45	67	75	15°	10°
161.26.AK4	◇	4-22	32	34	45	67	75	15°	10°
161.26.K04	□	4-18	32	34	45	67	75	15°	10°
163.30.04	○	2-30	35	38	48	72	80	15°	10°
163.30.AK6	◇	4-24	35	38	48	72	80	15°	10°
163.30.K06	□	5-20	35	38	48	72	80	15°	10°
171.36.04	○	5-36	42	42	55	85	94	15°	10°
171.36.AK4	◇	10-30	42	42	55	85	94	15°	10°
171.36.K04	□	10-28	42	42	55	85	94	15°	10°
173.42.04	○	4-42	48	50	60	85	94	15°	10°
173.42.AK6	◇	6-36	48	50	60	85	94	15°	10°
173.42.K06	□	6-28	48	50	60	85	94	15°	10°
185.60.06	○	6-60	66	73	84	101	110	15°	10°
185.60.AK6	◇	8-50	66	73	84	101	110	15°	10°
185.60.K06	□	8-40	66	73	84	101	110	15°	10°

